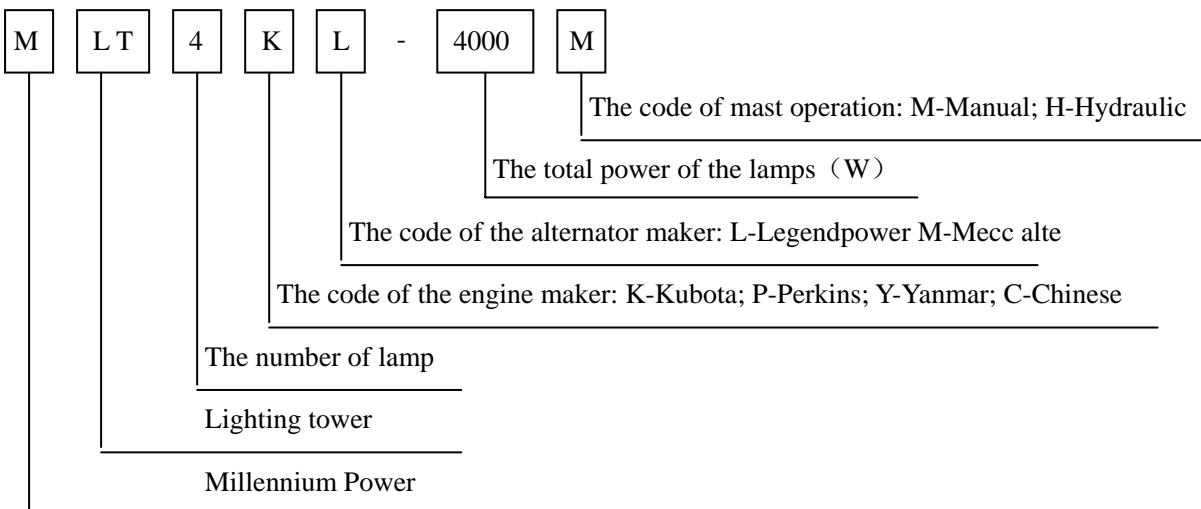


MLT4-4000M Series Lighting Tower

MPMC's MLT4-4000M compact mobile lighting tower provides lighting anywhere you need it: Construction, Emergency, Industrial, Public facility repairing, Mining, Civil Engineering and Event Lighting. The metal-halide lamps will provide light coverage for over 4200 square meters.

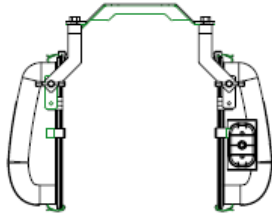


Model Instruction

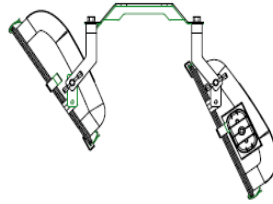


Lamp Deployment

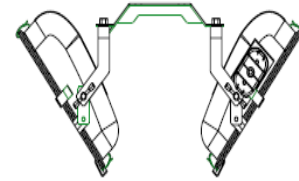
Transport



Deployed Mode 1



Deployed Mode 2



General Features

- The excellent-quality and multi-fault protection generator with the low-emission diesel engine and brushless alternator can power all lights stably and continuously.
- The galvanized mast and powder coated canopy suit the outdoor environment for a long time.
- The heavy-duty muffler and the soundproof canopy make the noise level under 65dB(A) at 7 meters away.



- The lights are IP65 protective class.
- The lights can be adjusted manually at the non-lifting position, each light can be rotated 180°
- The mast can be rotated 359° manually to adjust the illuminated area.



- The 2PCS External IP44 output sockets will power other equipments and electric tools whenever.
- The 1PCS External IP44 main power input will be easy to charge the battery.

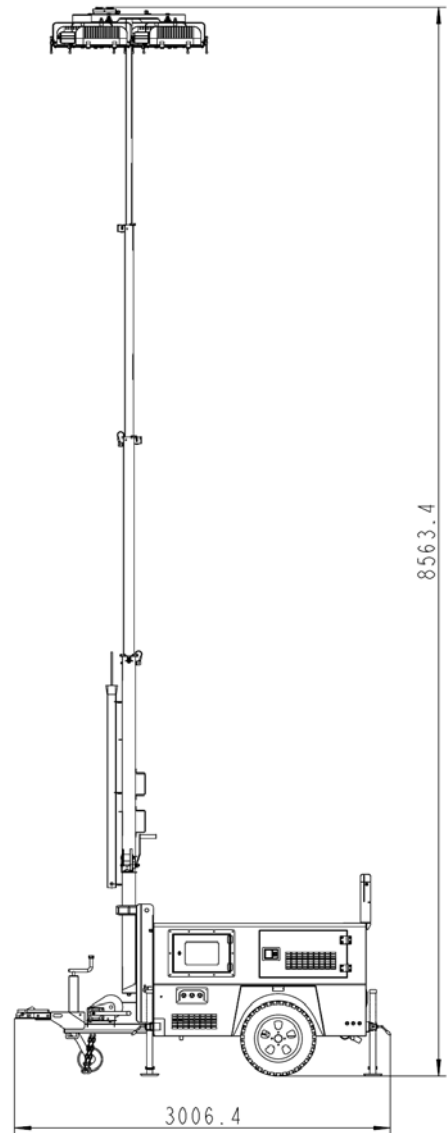
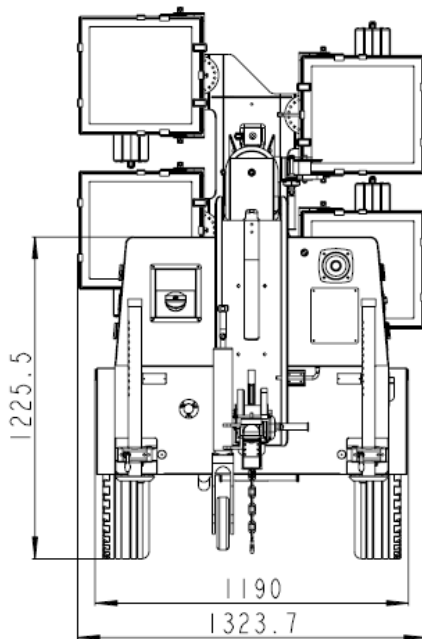
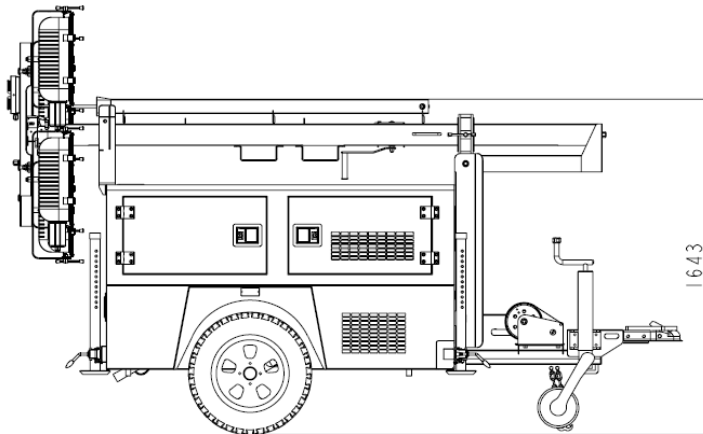
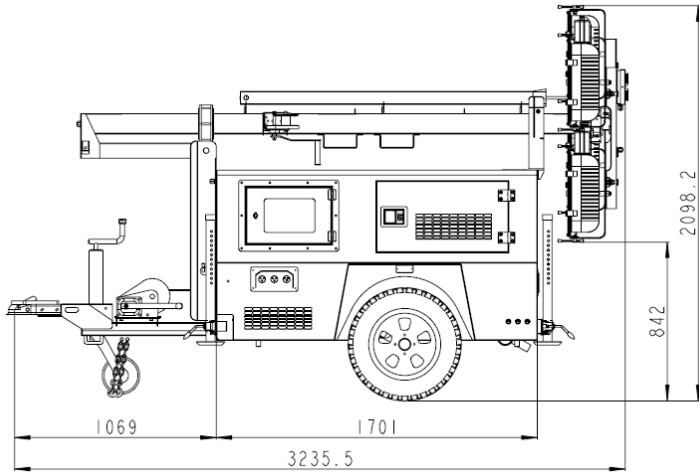


- The simple and clear indication and operating mark on the control panel.
- Using deepsea controller (DSE3110) to manually start or stop the genset, control each light independently just by its own individual switch.



- Three manual legs of individual operation are able to support stably and reliably even on rough ground, so the lighting tower can also work in the 8 grade windy weather.
- Locking pin ensure all operations to be safe and reliable.
- The AL-KO rubber torsion axle suspension system is suitable for variously rough road and its maintenance-free axis's service life will be at least 20 years.

MLT4-4000M Dimensions

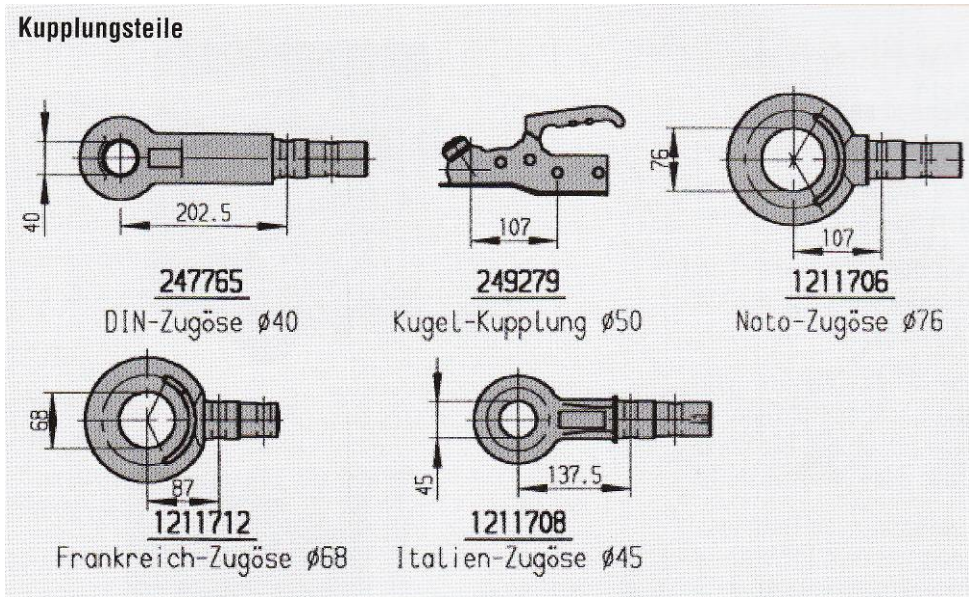


MLT4-4000M Specifications

Product Model	MLT4-4000M							
Length (mm)	3250							
Width (mm)	1324							
Height (mm)	2100							
Mast Height(Fully Extended)	8.56m							
Weight (net)	900 kg							
Engine Brand	Kubota		Yanmar		Perkins		MPMC	
Engine model	D1105		3TNV76		403D-11G		380D	
Frequency (Hz)	50	60	50	60	50	60	50	60
Speed (rpm)	1500	1800	1500	1800	1500	1800	1500	1800
Continued Power (kVA)	7	9	7	9	7	9	7	9
Number of Cylinders	3							
Diesel Engine Characters	4 cycle, In line, Watercooled Diesel							
Combustion Type	Precombustion		Indirect		Indirect		Direct Injection	
Engine Aspiration	Natural							
Emission Level	Stage3	Tier4	Stage	Tier4	Stage	Tier4	NA	Tier4
Alternator Brand	Mecc alte / Lisite							
Alternator Model	LT-130/4 / LYGD164B							
Frequency (Hz)	50	60	50	60	50	60	50	60
Continued Power (kVA)	6	7.5	6	7.5	6	7.5	6	7.5
Alternator	Brushless & Single phase							
Rating Voltage (V)	230							
Alternator Insulation	H							
Fuel Tank Capacity	120 liters (31 US Gallons)							
Fuel Tank Operating Hours	60 hours							
Type of Lights	Metal Halide Floodlight (Chinese Brand)							
Number & Power of Lights	4x1000W							
Mast Lifting & Extension	Manual operation							
Number of Mast Section	4							
Mast Rotation	359° Manual operation							
Light up-down turning	Manual operation							
Trailer Suspension System	rubber Torsion axle (Al-ko)							
Braking System	stable towing height							
Hitch	Ball / O ring							
Tire Rim Size	13"							
Output Socket	2PCS(230V, 10A)							
Acoustic Pressure	65dB(A) at 7 meters away							
Load Capacity for 40'GP	6							

Option Equipment	
Light Brand	GEWISS (Famous Brand)
Cold Weather Starting Kit	Kubota/Yanmar/Perkins/Chinese
Steel plate spring trailer	Chinese Brand
Mining Configuration	Chinese Brand

Hitch Specification Option



DISTRIBUTED BY:

© 2010 by MPMC, All right reserved.

MPMC reserves the right to implement specifications or design changes without notice.